

EKI 830

Infrared bodypack receiver

FEATURES

- Receiver can be connected to hearing aids
- Receiver is also ideal for use with headphones
- Outstanding stereo sound
- Firmware settings optimized for IS application (channel saving/less warning beeps)
- Large, ergonomically shaped volume control and balance control on the receiver
- Channel indication LEDs
- Lithium polymer battery ensures a long operating time up to 12 hours

The EKI 830 is a new variant of the existing RI 830 S infrared bodypack receiver that is optimized for the use in IS applications like theatres, operas and conferences. With the channel selector button on the rear side of the unit the user can select between 2.3 MHz or 2.8 MHz mono channels or use the stereo mode. The intuitive volume control wheel and the combination with the induction loop EZT 3011 make the EKI 830 an ideal device for people who need hearing aid.



ARCHITECT'S SPECIFICATIONS

The wideband infrared (IR) bodypack receiver shall be for use with a companion infrared transmitter as part of a wireless IR transmission system or IR hearing system. The receiver shall be capable of receiving on the carrier frequencies of 2.3 and 2.8 MHz. The receiver shall provide a 3.5 mm jack socket for connection of headphones or an induction loop for operation with telecoil-equipped hearing aids. The receiver shall provide two audio output operating modes, mono or stereo, and include a large easy-to-access volume control and a balance control. The audio frequency response shall range from 50 – 16,000 Hz. Maximum sound pressure level at 1 kHz shall be 125 dB; total harmonic distortion (THD) shall be < 1 %. Signal-to-noise ratio shall be at 75 dB(A). The receiver shall include a lithium polymer rechargeable battery with a typical operating time of 12 hours. Battery charging time shall be approximately 3 hours. The receiver dimensions shall be approximately 2.75" x 2.36" x 0.98" (70 x 60 x 25 mm). Weight including the battery shall be approximately 1.76 oz (50 grams). The battery shall be Sennheiser BA 300, the receiver shall be Sennheiser EKI 830.

TECHNICAL DATA

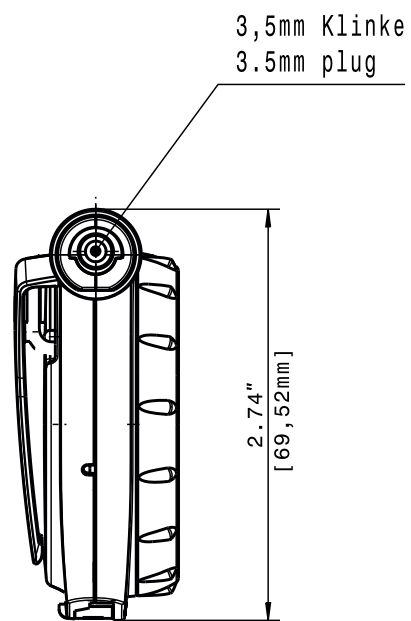
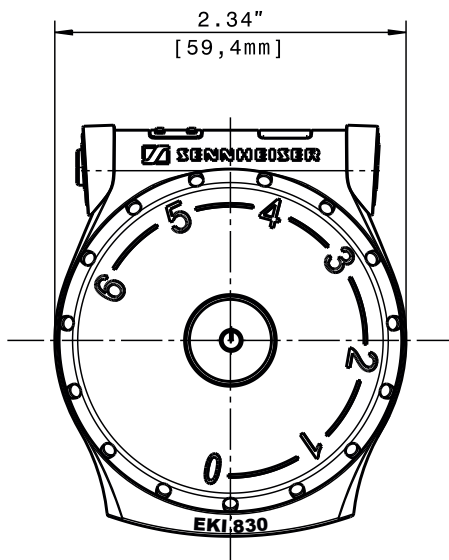
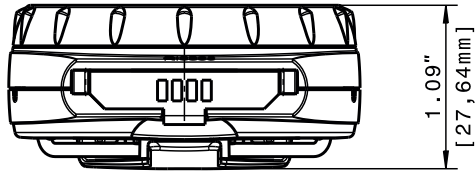
Modulation:FM
Carrier frequencies:..... 2.3/2.8 MHz
Frequency response (headphones):.....50 – 16,000 Hz
Max. Sound pressure level (active):125 dB (1 kHz)
THD, total harmonic distortion: < 1 %
Signal-to-noise ratio:typ. 75 dB(A)
Operating time:typ. 12 h
Charging time:approx. 3 h
Weight incl. Accu:.....approx. 50 g
Dimensionsapprox. 70 x 60 x 25 mm

DELIVERY INCLUDES

- 1 bodypack receiver EKI 830
- 1 BA 300 battery
- 1 Lanyard
- Quick guide

EKI 830 Infrared bodypack receiver

DIMENSIONS



PRODUCT VARIANTS

502021 RI 830 S

RECOMMENDED ACCESSORIES

BA 300 battery	Cat.No. 500898
L 300 10-10 charger	Cat.No. 502710
Lanyard	Cat.No. 528185
EZT 3011 induction loop	Cat.No. 502566
EZI 120 induction coupler	Cat.No. 003448

Sennheiser electronic GmbH & Co. KG
Am Labor 1, 30900 Wedemark, Germany
www.sennheiser.com

 **SENNHEISER**