



# LUCIA Optional Accessories

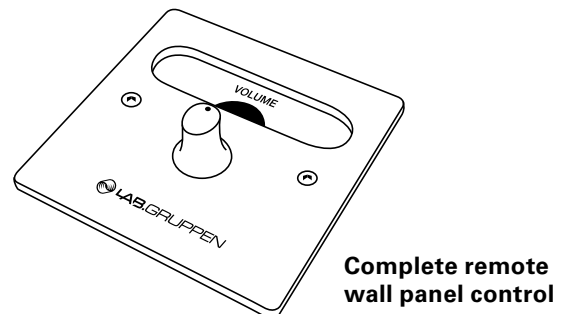
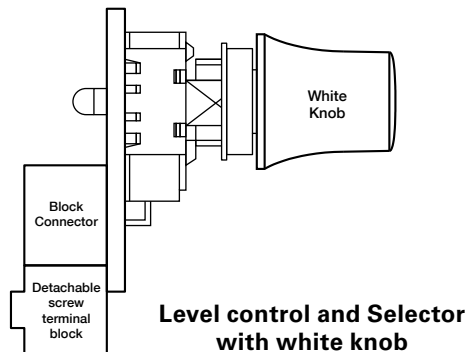
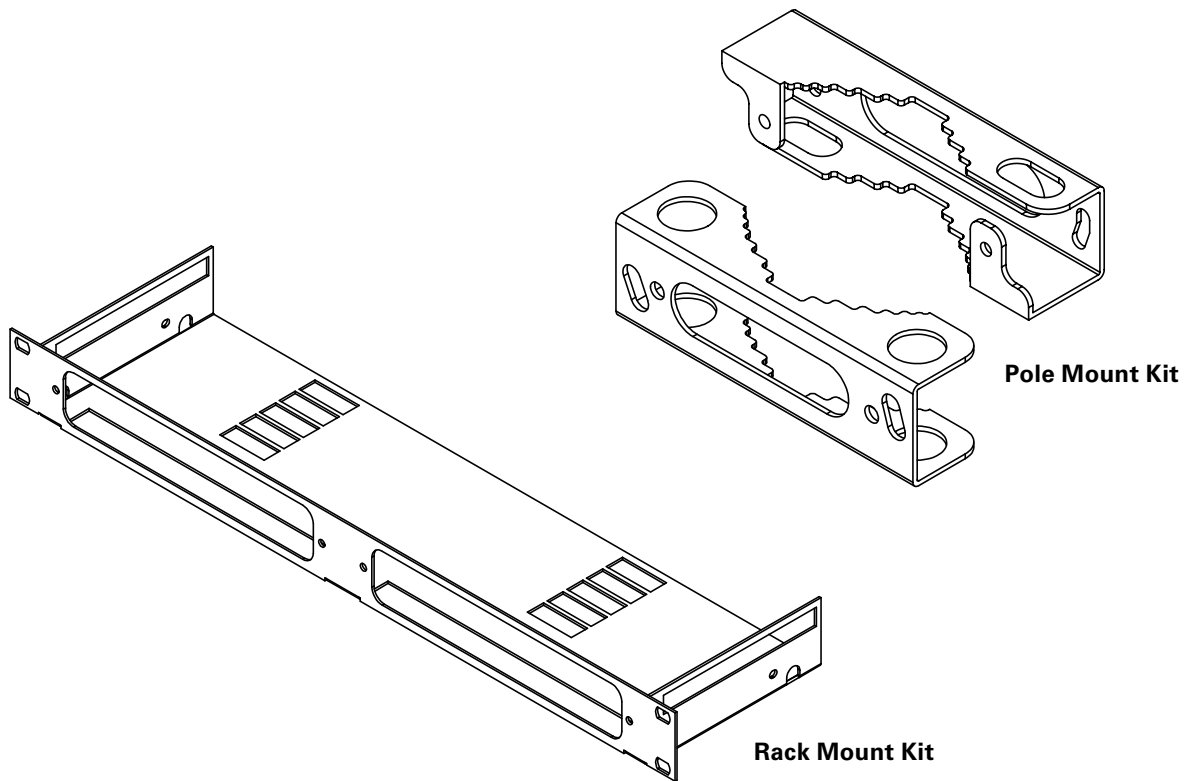
A range of optional accessories enhances the utility and cost-effectiveness of LUCIA compact installation amplifiers. Flexible mounting options allow placement of LUCIA amplifiers either in equipment racks or adjacent to video screens, fixed either on screen support poles or ceiling structural elements. In addition, the purpose-built remote control units (both standalone potentiometer 'DIY kits' and self-contained complete units\*\*) allow remote volume control and source selection without the complexity of integrating, third-party control systems.

Each accessory is ordered separately according to the listed part number.

\*\* complete wall panel control unit available within EU only

## Benefits

- Extends the utility and flexibility of LUCIA
- Three placement/mounting options
- Simplifies system design - No third party controller required
- Designed to make LUCIA extremely contractor-friendly
- Supplied and supported by Lab.gruppen



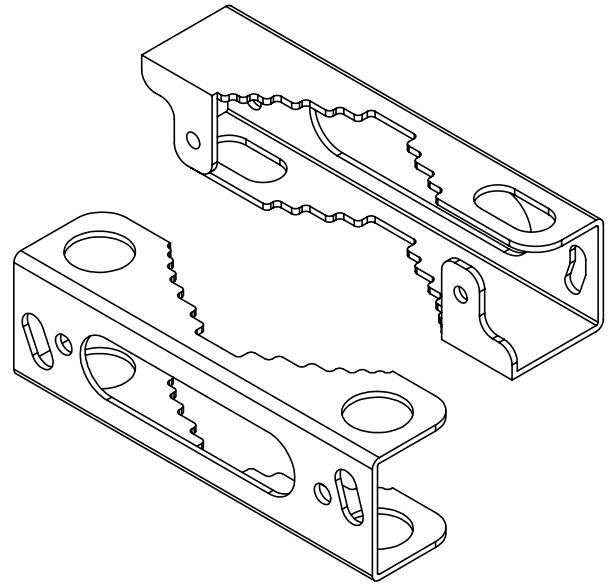


# LUCIA Optional Accessories

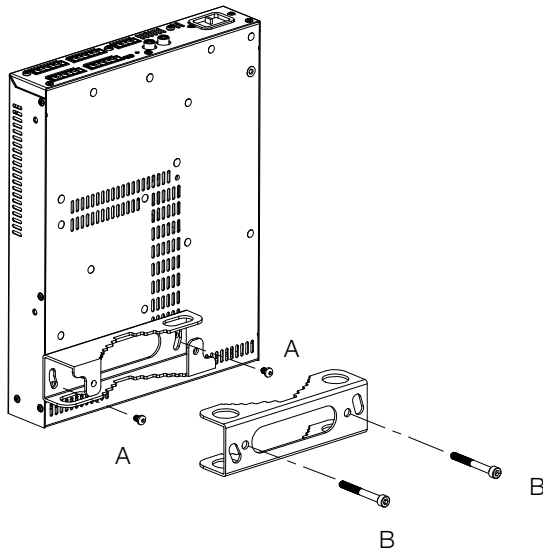
## Pole Mount Kit

Part Number: 990692001

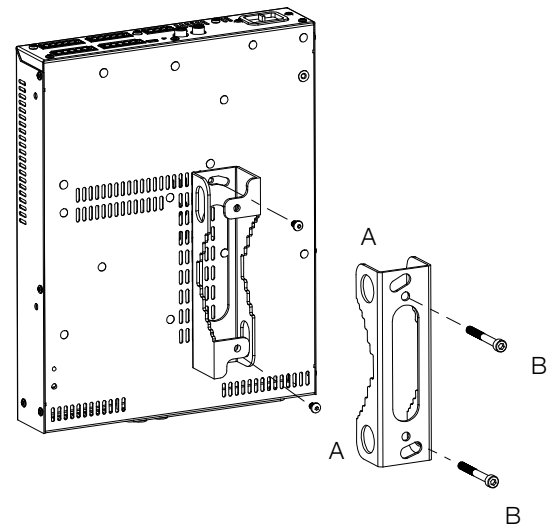
The Pole/Ceiling Mount Kit facilitates fast and secure fixing of a LUCIA unit to poles, beams and ceiling structures of various shapes and dimensions (circular, rectangular, oval, quadratic). Options might include a free-standing pole for a loudspeaker or video screen, a projector ceiling mount, or a cable tray. Included screws allow attachment to circular poles with a diameter from 19 mm (3/4") to 51 mm (2").



Installation of Pole Mount - Method 1



Installation of Pole Mount - Method 2



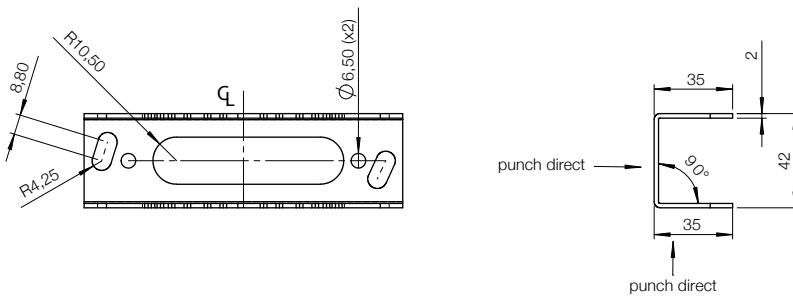
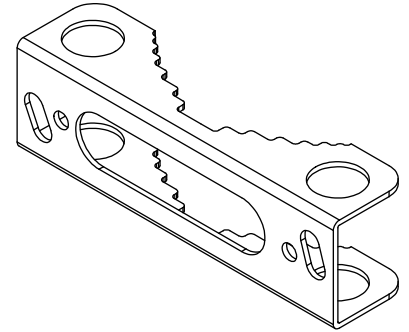
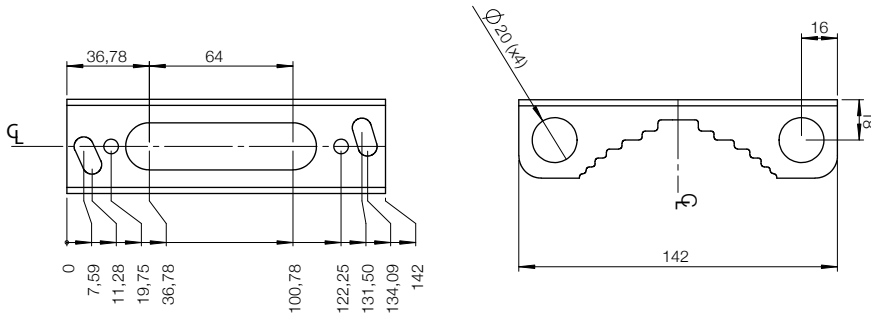
- A: Use M4X5.5 mm screw supplied with product accessories
- B: Use M5X45 mm screw supplied with product accessories  
or
- B: Use M5X30 mm screw supplied with product accessories



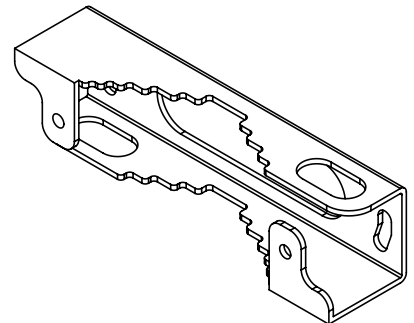
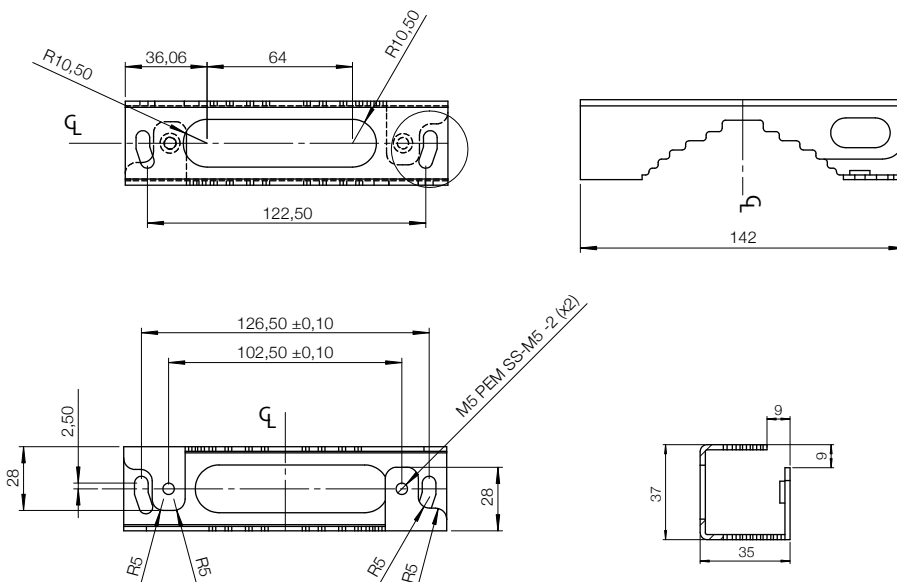
# LUCIA Optional Accessories

## Pole Mount Kit

Apparatus on the opposite side of the pole/beam



Apparatus attached to LUCIA



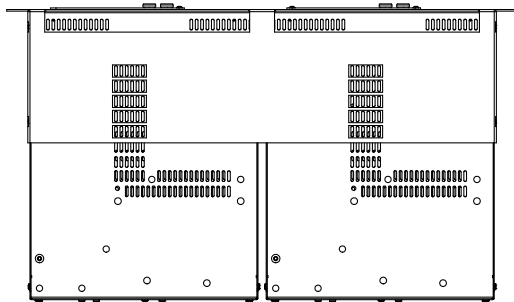
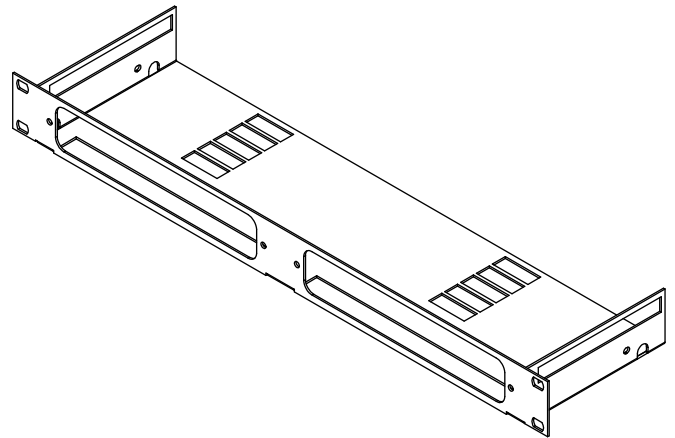


# LUCIA Optional Accessories

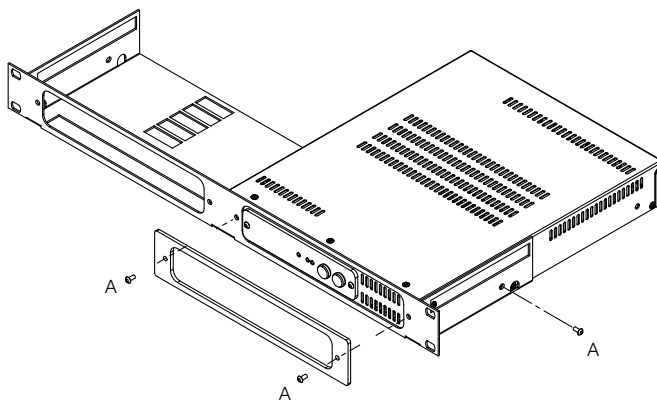
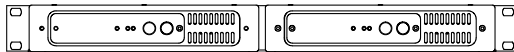
## Rack Mount Kit

Part Number: 990692002

The Rack Mount Kit enables mounting of one or two LUCIA amplifier units in 1U of a standard 19" equipment rack. Mounting is quickly accomplished by removal of the front faceplate of the LUCIA unit(s) and reinstalling with the included M3 x 10mm machine screws. It is permissible to mount LUCIA units or other equipment directly above or below rack-mounted LUCIA units; however, allowing 1U space above or below will allow higher power output in silent or whisper mode.



Possible extra LUCIA



### Assembly Instructions

1. Remove the two TORX screws holding the decorative outer rim of the front plate.
2. Place the amplifier on top of the rack mount according to the drawing opposite.
3. Replace the decorative outer rim of the front plate in front of the rack part.
4. Reassemble the front, rack mount and amplifier by use of two of the M3 x 10 mm length machine screws (A) supplied as accessories with the LUCIA amplifier.
5. In the side of the rack mount, fix the third of the M3 x 10 mm length machine screws (A) supplied as accessories with the LUCIA amplifier.
6. If two amplifiers are placed on the rack mount - please repeat assembly instructions 1 to 5 for the other amplifier.

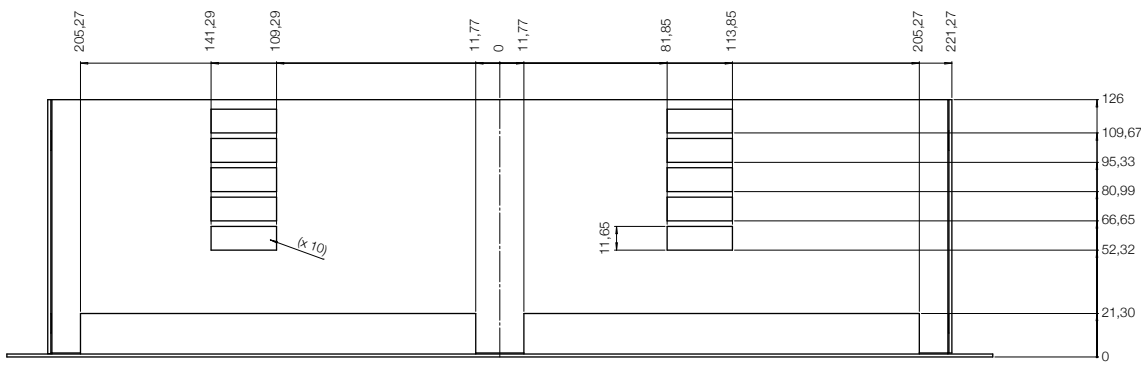
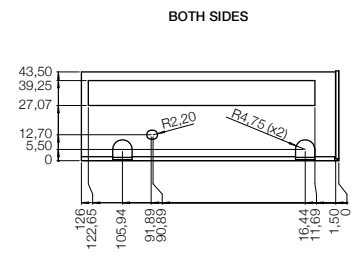
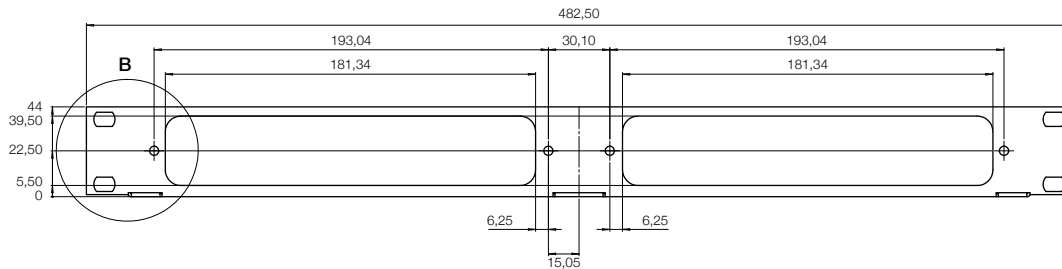
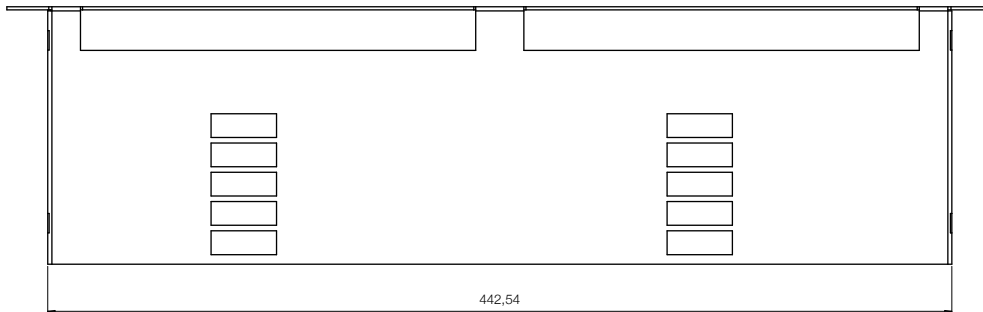
### Attention

Do not use the rack mount for other equipment, as this could overload the mount and make it unsafe. It is recommended to leave a one unit high rack space empty - either above or below the LUCIA amplifier rack.

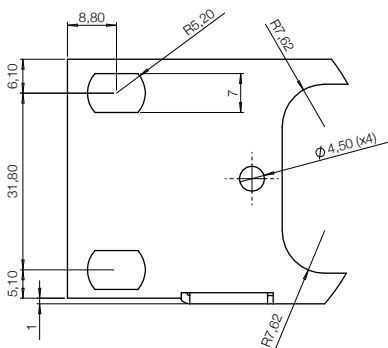


# LUCIA Optional Accessories

## Rack Mount Kit



DETAIL B  
BOTH SIDES





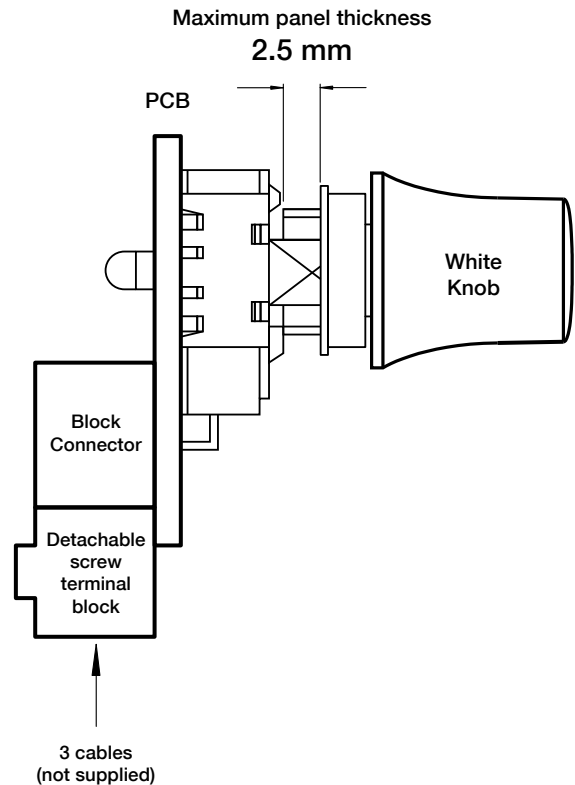
# LUCIA Optional Accessories

## Level control with white knob for DIY

Part Number: 990692005

The Remote Volume Control Kit is an easy-to-install, bespoke solution for controlling the volume of LUCIA amplifier from a remote location. The kit contains a circuit board, a connector with screw terminals, a continuously variable level control, and a white knob (replaceable with other standard knobs). Installation is accommodated with any wall plate or panel with a maximum thickness of 2.5 mm and circular opening of 9 mm diameter.

Note: Please refer to the LUCIA Operation Manual for information on configuring the unit for remote level control.



## Selector with white knob for DIY (for LUCIA M models only)

Part Number: 990692006

The Remote Source Selector kit enables switching and routing of inputs/outputs of LUCIA M models according to presets configured in the LUCIA Application Browser. The kit includes a resistor ladder and four-position selector switch to access the programmed functions. Installation is accommodated with any wall plate or panel with a maximum thickness of 2.5 mm and circular opening of 9 mm diameter. It is mechanically identical to 990692005.

Note: Please refer to the LUCIA Operation Manual for information on configuring the unit for remote switching.

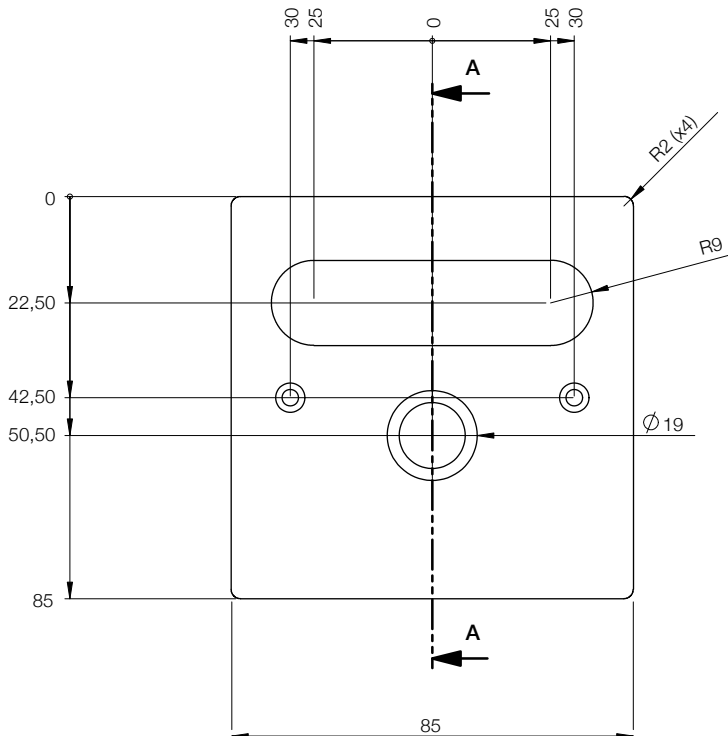
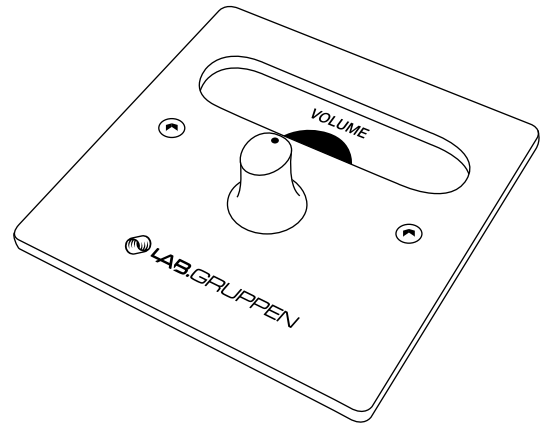


# LUCIA® Optional Accessories

## Complete remote wall panel control

Part Number: 990692004

This is functionally the same as the 990692005, but complete with a white panel. The screw holes are 60 mm apart, matching the EU standard for back boxes. It can be mounted in any in- or on-wall back box provided the screw holes are 60 mm apart. It can also be mounted in many of the cable canals that are typically found in corporate environments. The panel requires simple pre-assembly by the installer, during which a label can be located behind a protective plastic film, allowing for customized text (eg. function, etc) to be shown through the oval window in the panel.



SECTION A-A

