



Introduction:

Our Rio Series R22-P and R44-P Dante enabled interface devices compliment our Neutrino-N and Uno-N Series of Dante network audio processors but can be utilized with any Dante enabled product brand. Both models provide bi-directional Dante network audio transport - analog audio input, conversion, and transport over Ethernet cable and Dante network audio to analog audio breakout. They provide a cost-effective way to add two (2) or four (4) I/O channels of Dante audio to an existing Dante based networked audio system and their small form factor, included surface mount brackets, and PoE power capability make it easy to locate Dante connectivity exactly where you need it. And like all of our products, the Rio R22-P and R44-P Dante interface devices are designed and engineered in Canada.

Description:

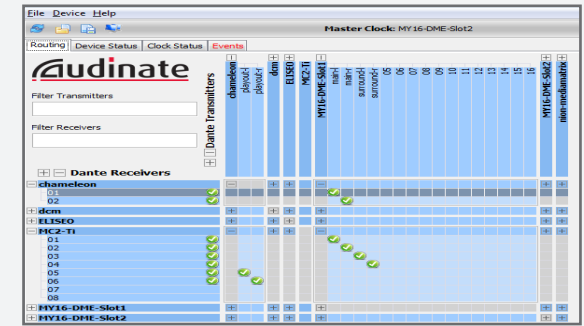
The R22-P (2x2 I/O) and R44-P (4x4 I/O) models are 1/4 rack chassis size Dante interface devices. The front panel of both models provides Dip switch selection of Mic or Line input and 48v Phantom power on a per channel basis and an RJ-45 Dante network audio connector with power and network LED's. The rear of each model (as shown on page 2) provides 2 or 4 analog audio inputs and 2 or 4 analog audio outputs on 3.81mm Euro connectors and a 12VDC external power supply connection. The external power supply is included but you can also power the devices using PoE power. Surface mount brackets are included and the devices can be mounted to rear rack rails, to rack shelves, onto any surface or used free standing with or without the removable mounting brackets. An optional 1RU rack panel provides the ability to rack 4 devices side by side in a 19" equipment rack.

All Dante enabled devices in a system are connected to form a Dante network as shown in the drawing on page 2. Our Rio R22-P and R44-P Dante interfaces might be used in conjunction with our Neutrino-N and Uno-N Dante enabled processors and software (software shown at the right) or utilized with other Dante enabled product brands. In both cases the user must download and use the Dante Controller software, as shown at the top right, in order to complete the Dante configuration, routing, and management of devices on the Dante network. A copy of the free Dante Controller software can be found on the USB drive included with each Rio device or from the Dante by Audinate web site at www.audinate.com.

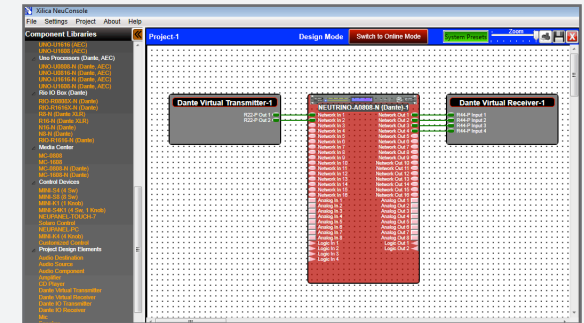
See the Dante Controller software Help file for detailed guidance, the Quick Start Guide included with each R22 & R44 interface, video tutorials on our web site, or contact Xilica.

Applications:

Select our R22-P & R44-P Dante interface devices whenever you need a high quality, small format, Dante interface. Digitally transport 2 or 4 channels of audio over Ethernet cable using Dante network audio. Convert Dante audio back into analog audio at a destination point. Use our R22-P & R44-P for live production applications, as part of an installed systems Dante audio network, or anywhere you need to transport high quality audio long distances using low cost network cable.



Dante Controller Software



Xilica Dante Configuration

Rio Series R22-P & R44-P

- . Use with Xilica Dante processors or with other Dante enabled product brands
- . 2x2 and 4x4 analog & Dante I/O
- . Dip switches select mic or line inputs and 48v phantom power per channel
- . Analog audio input and output on 3.81mm Euro connectors (included)
- . PoE powered or included 12V supply
- . Small form factor and PoE power makes placement easy
- . Dante digital transport samples at 48kHz



Specifications:

Inputs and Outputs

Input Impedance: >10k Ohms
 Output Impedance: 50 Ohms
 Maximum Level: +20dBu
 Type: Electronically balanced
 Phantom Power: 48v

Audio Performance

Frequency Response: +/- 0.1dB (20 to 20kHz)
 Dynamic Range: 110dB (unweighted)
 CMRR: >100dB (50 to 10kHz)
 Crosstalk: < -100dB
 Distortion: 0.002% (1kHz @ +4dBu)

Digital Audio Performance

Sampling Rate: 48kHz
 Analog Converters: High Performance 24-bit

Front Panel

Dip Switches: Select Mic/Line Input and Phantom Power Per Input
 RJ45: Dante Network Audio Connector Power and Data (on RJ45)
 Status LED's:

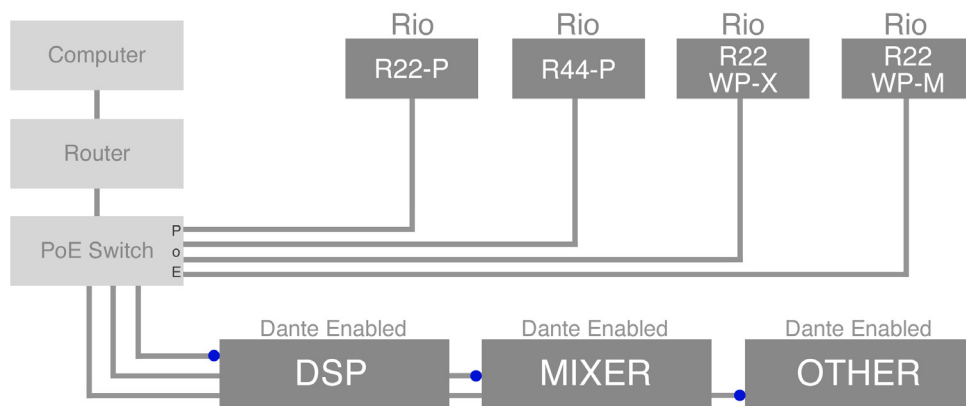
Rear Panel

Analog I/O: Euro/Phoenix Plug-in 3.81 mm (included)
 Power: External Power Connector

General

Surface Mount Brackets: Included
 Power: 12VDC (Included) or PoE
 Dimensions (WxHxD): 4 1/4" x 1 3/4" x 4 3/4" (108mm x 45mm x 121mm) (W=5 15/16"/152mm with mounting brackets attached)
 Weight: 1/2 lbs (227 grams)
 Warranty: 2 Years Parts and Labour
Note: Specifications subject to change without notice

Typical Dante Network



A&E Specification:

The Dante enabled I/O interface devices shall provide either two (2) or four (4) balanced mic/line inputs and two (2) or four (4) balanced line outputs - model dependent. A single front mounted RJ45 connector provides Dante network audio I/O.

Each analog input shall be capable of driving a Dante audio flow, and each analog output shall be capable of being driven from a Dante audio flow.

Mic/Line inputs and 48v phantom power are selectable via front panel Dip switches on a per input basis. Analog inputs and outputs are on 3.81mm Euro/Phoenix connectors. Inputs and outputs are set at a fixed gain level.

The units shall accept either +12VDC (1 amp power supply included) or IEEE 802.3af standard PoE as the power input. The units shall be compliant with FCC Part 15, CE, RoHS requirements.

The units shall be the Xilica Audio Design - Rio R22-P & Rio R44-P Dante enabled I/O interface devices.