



Introduction:

Our Rio Series R22-WP-X and R22-WP-M wall mount Dante enabled interface panels compliment our Neutrino-N and Uno-N Series of Dante network audio processors but can be utilized with any Dante enabled product brand. Both models provide bi-directional Dante network audio transport - analog audio input, conversion, and transport over Ethernet cable and Dante network audio to analog audio breakout. They provide a cost-effective way to add two (2) I/O channels of Dante audio to an existing Dante based networked audio system. Power them using PoE power or use the included external power supply. Like all of our products, the Rio R22-WP-X and R22-WP-M models are designed and engineered in Canada.

Description:

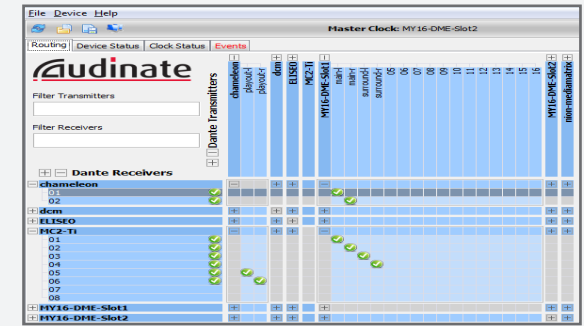
The R22-WP-X and R22-WP-M wall mount models are 2x2 analog / 2x2 Dante I/O interfaces on a 2 gang sized flush or surface mount wall plate (surface mount back box included). The only difference between these two models is the analog I/O connectors provided on the front panel of each model. The R22-WP-X wall plate model provides XLR analog I/O connections only. The R22-WP-M wall plate model provides a mix of XLR, dual RCA (L+R summed), and stereo 3.5mm (L+R summed) analog I/O connections. The front panel of both models provides Mic/Line input and 48v Phantom power selection on a per channel basis via recessed on/off switches and separate status LED's indicate when the Mic input is selected and when phantom power has been activated. The rear of both models is the same and provides an RJ45 network audio connection and an external power supply connection as shown on page 2. Power both models with a PoE switch or router or use the included external power supply. The R22-WP-X and R22-WP-M are a two piece design with the decora-style outer cover snapping onto the metal main body panel and are available in all black, all white, or black/white and white/black combination colours.

All Dante enabled devices in a system are connected to form a Dante network as shown in the drawing on page 2. Our Rio R22-WP-X and R22-WP-M wall mount Dante interface panels might be used in conjunction with our Neutrino-N and Uno-N Dante enabled processors and software (software shown at the right) or utilized with other Dante enabled product brands. In both cases the user must download and use the Dante Controller software, as shown at the top right, in order to complete the Dante configuration, routing, and management of devices on the Dante network. A copy of the free Dante Controller software can be found on the USB drive included with each Rio device or from the Dante by Audinate web site at www.audinate.com.

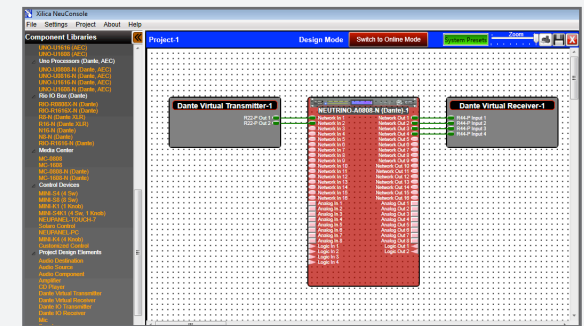
See the Dante Controller software Help file for detailed guidance, the Quick Start Guide included with each R22-WP-X & R22-WP-M, video tutorials on our web site, or contact Xilica.

Applications:

Select our R22-WP-X & R22-WP-M models whenever you need a high quality, wall mount, Dante interface panel. Install the R22-WP-X and R22-WP-M as part of an installed systems Dante network to digitally transport two I/O channels of high quality audio long distance over Ethernet cable using Dante network audio.



Dante Controller Software



Xilica Dante Configuration

Rio Series R22-WP-X & R22-WP-M

- . Use with Xilica Dante processors or with other Dante enabled product brands
- . 2x2 analog & Dante I/O
- . Front panel mic/line/48v phantom power selection per input
- . XLR & XLR/RCA/3.5mm I/O models
- . PoE powered or included 12v supply
- . Two piece design - snap on front cover
- . Available colours as shown above
- . Dante digital transport samples at 48kHz



R22-WP-X
Front & Rear Panel



R22-WP-M
Front & Rear Panel



Specifications:

Inputs and Outputs

Input Impedance:	>10k Ohms
Output Impedance:	50 Ohms
Maximum Level:	+20dBu
Type:	Electronically balanced
Phantom Power:	48v

Audio Performance

Frequency Response:	+/- 0.1dB (20 to 20kHz)
Dynamic Range:	110dB (unweighted)
CMRR:	>100dB (50 to 10kHz)
Crosstalk:	< -100dB
Distortion:	0.002% (1kHz @ +4dBu)

Digital Audio Performance

Sampling Rate:	48kHz
Analog Converters:	High Performance 24-bit

Front Panel

Recessed Switches:	Select Mic/Line Input and Phantom Power Per Input
Status LED's:	(3) Panel Power and Mic Input and Phantom Power Selected
Connectors:	Dual XLR I/O (R22-WP-X); XLR, Summed RCA's; Summed 3.5mm I/O (R22-WP-M)
Cover/Body Colour:	Blk, Wht, Blk/Wht, Wht/Blk

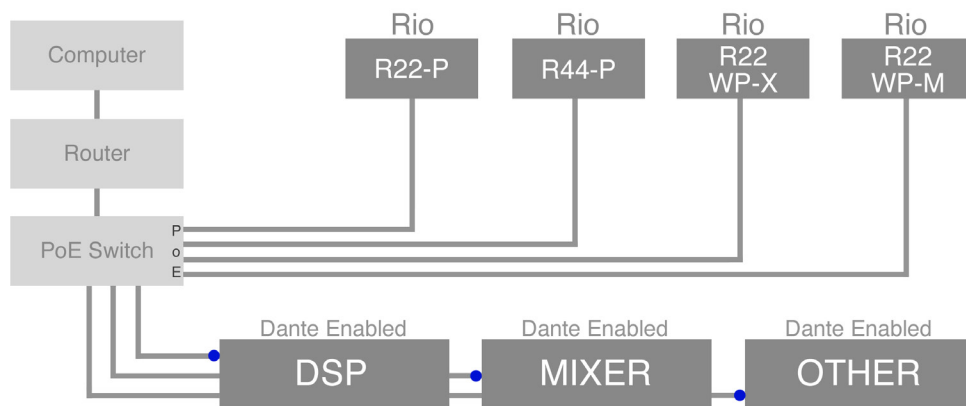
Rear Panel

Network Audio I/O:	RJ45 Connector
Power:	External Power Connector

General

Physical Design:	Decora Style Front Cover Snaps onto Metal Main Body
Surface Mount Backbox:	Included
Power:	12VDC (Included) or PoE
Dimensions (WxHxD):	4.60" x 4.60" x 2.00" (117 x 117 x 50mm)
Weight:	1/2 lbs (227 grams)
Warranty:	2 Years Parts and Labour
<i>Note: Specifications subject to change without notice</i>	

Typical Dante Network



A&E Specification:

The Dante enabled I/O interface panels shall provide one (R22-WP-M) or two (R22-WP-X) balanced mic/line inputs and balanced line outputs. The R22-WP-M model also provides summed RCA and 3.5mm line inputs and a summed 3.5mm line output. A single RJ45 connector provides the Dante network audio I/O connection. Each analog input shall be capable of driving a Dante audio flow, and each analog output shall be capable of being driven from a Dante audio flow.

Balanced mic/line inputs and 48v phantom power are selectable via recessed front panel switches on a per input basis. Status LED's indicate panel power and mic input and phantom power selected. Inputs and outputs are set at a fixed gain level.

The units shall accept either +12VDC (1 amp power supply included) or IEEE 802.3af standard PoE as the power input. The units shall be compliant with FCC Part 15, CE, RoHS requirements.

The units shall be the Xilica Audio Design - Rio R22-WP-X and R22-WP-M Dante enabled I/O interface panels.