

ACD1

Amplifier Controller Device



ACD1

1U

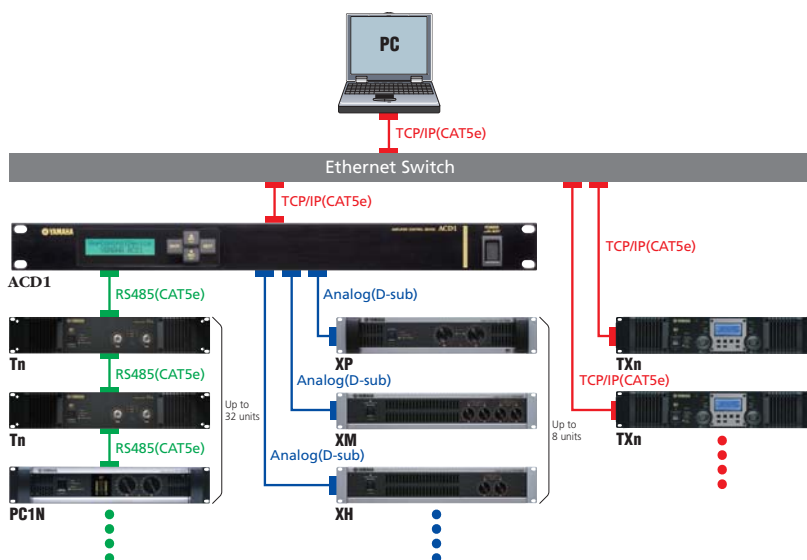
Rear Panel



Comprehensive computer control of Tn, PC-1N, XP, XM and XH series amplifiers.

- Interfaces a computer running Yamaha's dedicated control and monitoring software with up to 40 Tn, PC-1N, XP, XM and XH series power amplifiers.
- Up to 32 Tn and/or PC-1N amps can be connected via standard Ethernet cables, plus up to 8 XP, XM, and/or XH series amplifiers can be connected via D-SUB cables.
- Simultaneously link directly connectable TXn power amplifiers and other Yamaha amplifiers connected via an ACD1 unit to a single computer by using a standard high-speed Ethernet switch.
- Yamaha's software makes it easy to monitor, manage, and control the available functions of Tn, PC-1N, XP, XM and XH series amplifiers from a Windows-based computer.
- Large amplifier systems can be managed and controlled with ease: name and group amps according to function, for example.
- Yamaha's dedicated control and monitoring software offers numerous flexible warning functions, including warnings when a pre-defined wattage, temperature, or impedance is exceeded.
- Warnings are automatically logged to an info file for efficient troubleshooting.

SYSTEM EXAMPLE



Amp Control	Tn/PC1N	XP, XH, XM
Power On/Standby	<input type="radio"/>	<input type="radio"/>
Attenuate	<input type="radio"/>	—
Mute	<input type="radio"/>	<input type="radio"/>
Input Polarity	<input type="radio"/>	—

Monitor	Tn/PC1N	XP, XH, XM
Input Level	<input type="radio"/>	—
Output Level	<input type="radio"/>	<input type="radio"/>
Output Clip	<input type="radio"/>	—
Load Impedance	<input type="radio"/>	—
Protection	<input type="radio"/>	<input type="radio"/>
Amp Mode	<input type="radio"/>	—
Heatsink Temp	<input type="radio"/>	—

CONTROL I/O SPECIFICATIONS

Terminals	Format	Level	Connector
MONITOR/REMOTE	-	-	D-SUB 15P (Female) x 8 *1
DATA PORT (RS-485)	RS-485	RS-485	RJ-45 *4
GPI	IN	-	0-5V
	OUT	-	Open Collector
	+V	-	5V
FAULT OUTPUT *3	-	-	EUROBLOCK *2 (3.5mm pitch)*
NETWORK	IEEE 802.3	10Base-T/100Base-TX	RJ-45

*1 XP7000, XP5000, XP3500, XP2500, XP1000, XM4180, XM4080, XH200

*2 Inputs: 4channels, Outputs: 4channels

Inputs: Not apply 2 wire Fader mode

Outputs: Withstanding Voltage $V_{max} = 12V$ (OFF)

Outputs: Sink Current $I_{max} = 75mA/pin$, $I_{max} = 300mA/4pins$ (ON)

+V: $I_{max} = 100mA/2pins$

COM=CLOSE.COM=OPEN

*3 Input: $I_{max} = 1A$, $V_{max} = 30VDC$

*4 T5n, T4n, T3n, PC9501N, PC6501N, PC4801N, PC3301N, PC2001N, PC9500N, PC4800N, PC3300N

ELECTRICAL SPECIFICATIONS

PARAMETER	CONDITIONS	MIN	TYP	MAX	UNITS
Power Requirements	100-240V 50/60Hz			15	W
Temperature Range	operating temperature range	0		40	C
	storage temperature range	-20		60	C
AC Cable Length			250		cm

DIMENSIONS

unit : mm

