

Synexis CHP

Charger



Supply without transmitter / receiver

FEATURES

- Two charging compartments for beltpack receivers/transmitters or handheld transmitters
- Powered via power adapter

COMPONENTS

Synexis CHP Two charging compartments for beltpack receivers/transmitters or handheld transmitters. Order # 721.522

SUPPLIED ACCESSORY

- Power adapter with multifunction connector

APPLICATIONS

The Synexis CHP charger is provided with two charging compartments for two Synexis TH handheld transmitters, TP beltpack transmitters or RP beltpack receivers, when they are powered by rechargeable NiMH batteries. The charging state of the rechargeable batteries is indicated by an LED of the appropriate transmitter or receiver. The device is powered by the supplied power adapter.

TECHNICAL SPECIFICATIONS

Input AC 100 - 240 V / 47 - 63 Hz
Output DC 5 V / 2.5 A, 12.5 W (max.)
Charging current per socket 430 - 470 mA
Max. charging time approx. 5 hours
Ambient temperature (26 °C / 55%) 40 °C [104 °F]
Dimensions (W x D x H) 210 x 106 x 71.4 mm
[8.3" x 4.2" x 2.8"]
Weight (without power adapter) 1.04 kg [2.3 lbs]
Charging compartments 2 for handheld transmitter,
beltpack transmitter / receiver

Synexis CHP

ARCHITECT'S SPECIFICATIONS

Desktop charger with charging compartments for two backpack receivers/transmitters or handheld microphones. Automatic rechargeable battery/standard battery recognition. Individuelle Each charging compartment with individual display of the charging or error status via the operating control LED of the transmitter/receiver. Rugged plastic housing. Supplied with power supply unit.

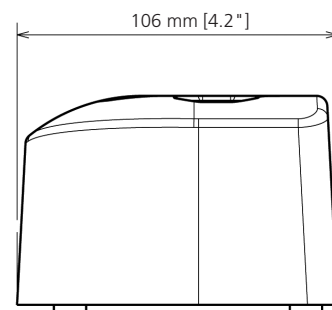
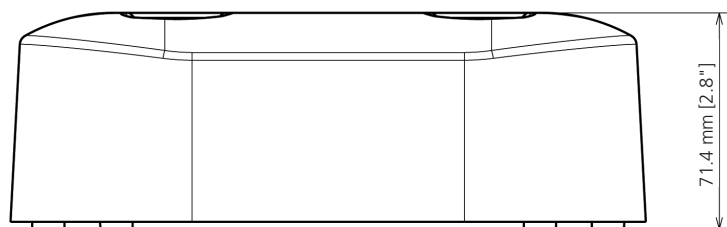
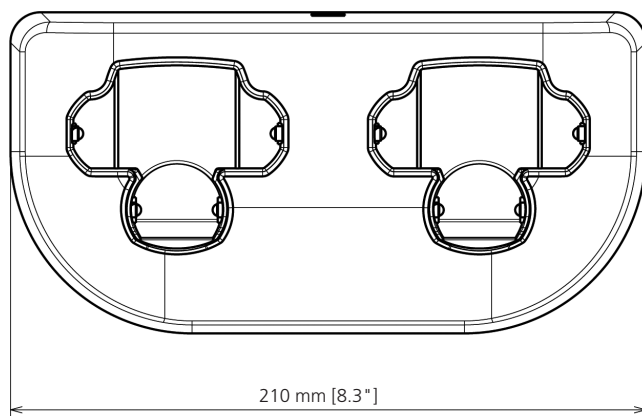
Manufacturer: beyerdynamic
Type: Synexis CHP

CONSUMER ALERT

Most users do not need a license to operate this wireless microphone system. Nevertheless, operating this microphone without a license is subject to certain restrictions: the system may not cause harmful interference; it must operate at a low power level (not in excess of 50 milliwatts); and it has no protection from interference received from any other device.

Purchasers should also be aware that FCC is currently evaluating use of wireless microphone systems, and these rules are subject to change. For more information, call the FCC at 1-888-CALL-FCC (TTY: 1-888-TELL-FCC) or visit the FCC's wireless microphone website at www.fcc.gov/cgb/wirelessmicrophones.

DIMENSIONS



All dimensions in mm and [inch].